

January 16, 1998

**FAST RECOVERY, PCB MOUNTING, 1-PHASE FULL
WAVE BRIDGE RECTIFIER ASSEMBLIES**

**QUICK REFERENCE
DATA**

- Low forward voltage drop
- Low reverse leakage current
- Subminiature design
- Three lead configurations
- Fast reverse recovery time

- $V_R = 50V - 400V$
- $I_F = 3.0A$
- $I_R = 2.0 \mu A$
- $t_{rr} = 150nS$

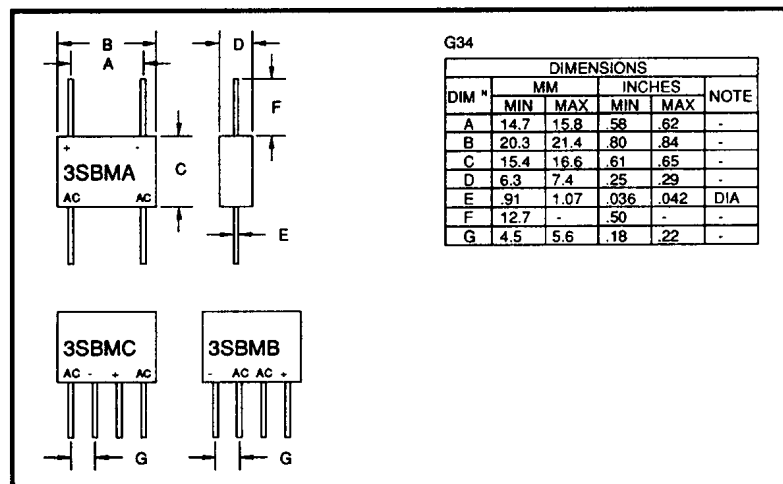
ABSOLUTE MAXIMUM RATINGS & CHARACTERISTICS

Device Type	Working Reverse Voltage V_{RWM}	Average Rectified Current $I_{F(AV)}$		1 Cycle Surge Current I_{FSM} $t_p = 8.3mS$	Repetitive Surge Current I_{FRM}	Reverse Leakage Current $I_R @ V_{RWM}$		Forward Voltage drop $V_F @ 3A/leg @ 25^\circ C$	Reverse Recovery Time t_{rr}
		@ 55°C	@ 100°C	@ 25°C	@ 25°C	@ 25°C	@ 100°C		
		Volts	Amps	Amps	Amps	Amps	μA	μA	Volts
3SBM*05F	50	3.0	1.5	150	25	2.0	40	1.1	150
3SBM*1F	100	3.0	1.5	150	25	2.0	40	1.1	150
3SBM*2F	200	3.0	1.5	150	25	2.0	40	1.1	150
3SBM*4F	400	3.0	1.5	150	25	2.0	40	1.1	150

* Add A, B, C for desired circuit configuration (see Mechanical outline)

¹ Measured on discrete devices prior to assembly

MECHANICAL



January 16, 1998

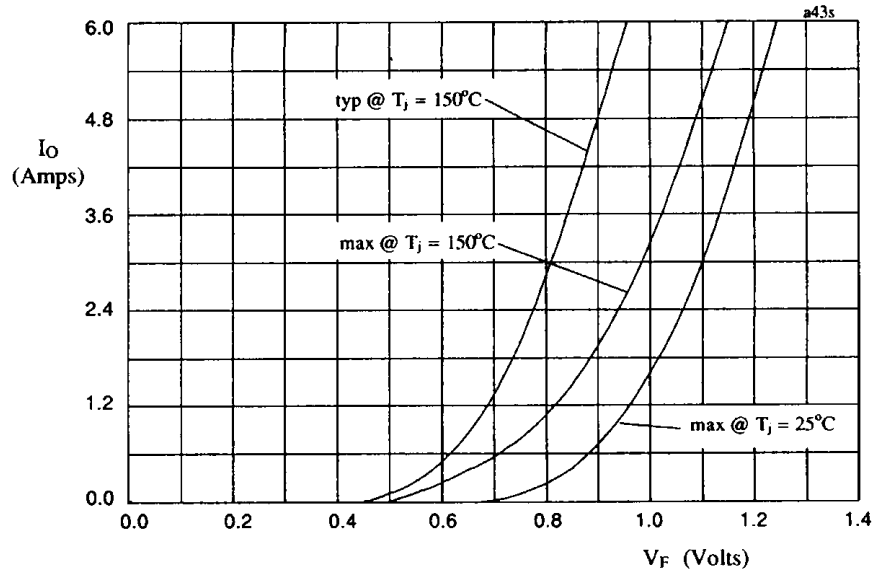


Fig 1. Forward voltage drop against output current per leg

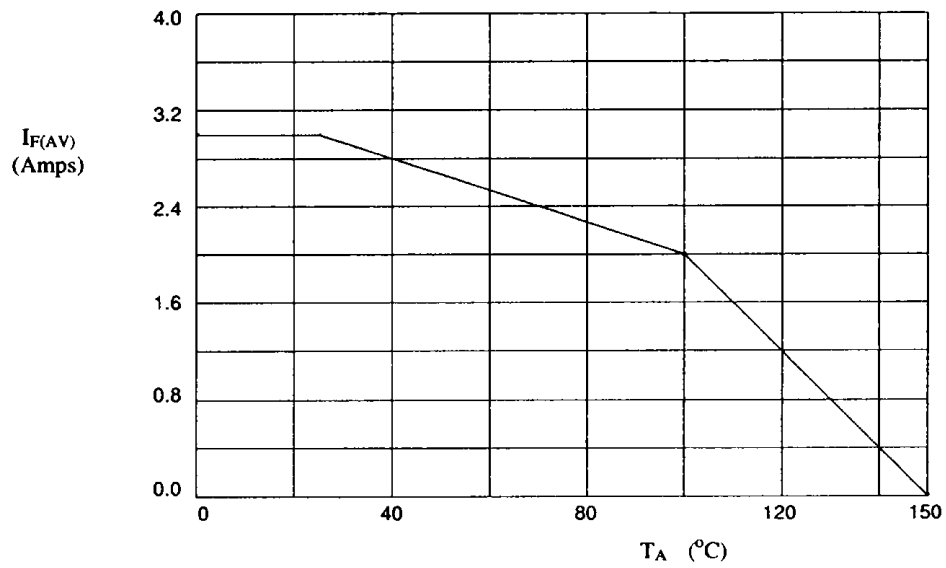


Fig 2. Maximum average forward current against ambient temperature.