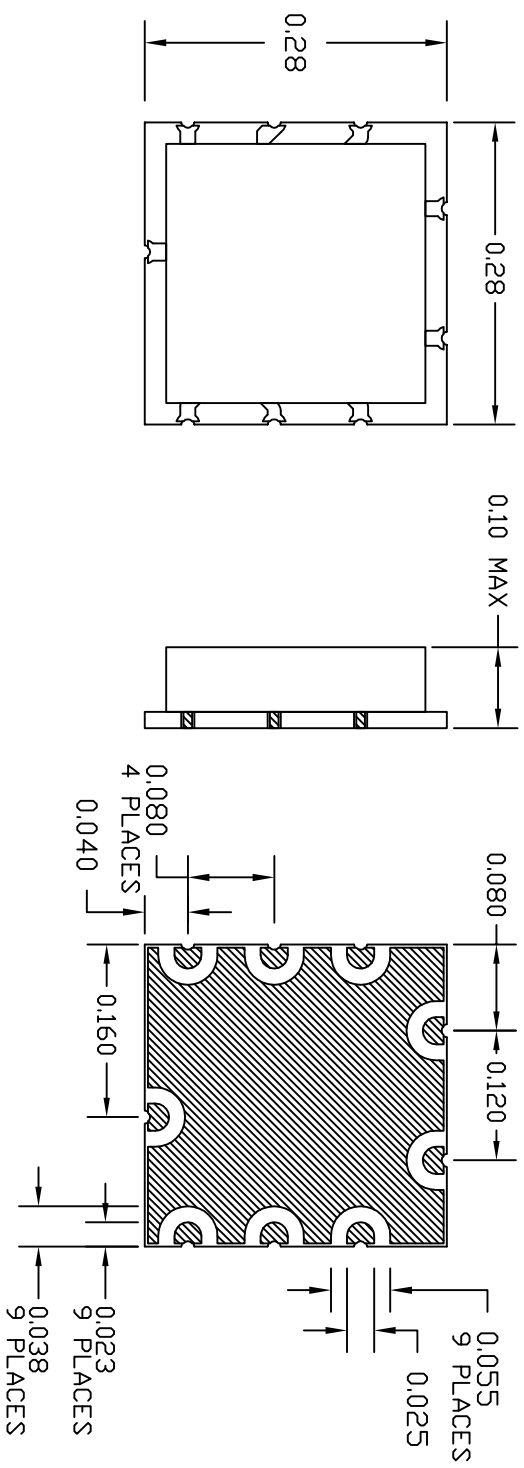


This document is the property of KCB Solutions, Inc. and contains company confidential and/or proprietary information. It is issued in strict confidence and the recipient shall not reproduce, copy, cause to be reproduced or copied, disclose to others, or use as the basis for manufacture, sale or purchase of apparatus the contents or portions thereof of this document without written permission of KCB Solutions.

REVISIONS				
ZONE	LTR	DESCRIPTION	DATE	APPROVED
-	-	RELEASE_PER_DIF091	03/08/12	DGS

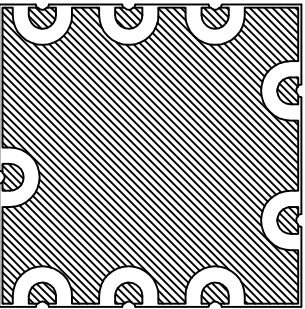
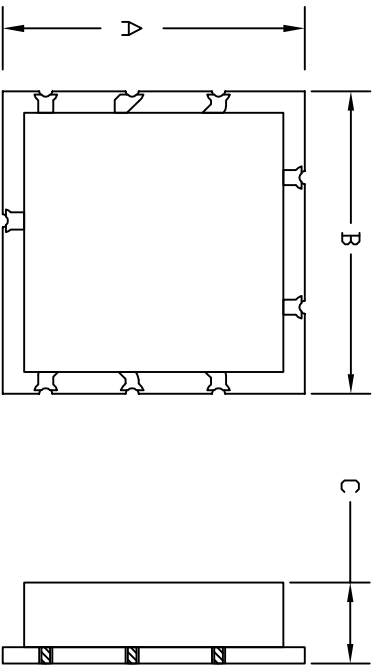


- NOTES:
- SUBSTRATE MATERIAL: ALUMINUM NITRIDE.
 - METALLIZATION: 30 MICRONS MAX GOLD OVER COPPER.
 - LID MATERIAL: CERAMIC.

UNLESS OTHERWISE SPECIFIED		DRAWN BY D. SCOFFIELD		12/08/11	KCB SOLUTIONS, INC.	
DIMENSIONS ARE IN INCHES		CHECKED BY R. NILSSON		12/08/11	900 Mount Laurel Circle, Shirley, Ma. 01464	
TOLERANCES UNLESS OTHERWISE SPECIFIED		ENG. NAME R. NILSSON		DATE	OUTLINE, LCC	
1. FRACTIONAL DIMENSIONS		PRD. NAME V. KEENASCH		DATE	7-PORT 0.280 SQ	
2. DECIMAL DIMENSIONS		Q.A. NAME V. KEENASCH		DATE	SIZE B	
3. PLACE DECIMALS		THIRD ANGLE PROJECTION		DATE	CAGE CODE 3W3Q7	
4. PLACE DECIMALS		NEXT ASSEMBLY		DATE	80058	
5. PLACE DECIMALS		APPLICATION		DATE	SCALE 1 : 1	
6. PLACE DECIMALS		USED ON		DATE	SHEET 1 OF 2	
7. PLACE DECIMALS		APPLICATION		DATE		

5 4 3 2 1

This document is the property of KCB Solutions, Inc. and contains company confidential and/or proprietary information. It is issued in strict confidence and the recipient shall not reproduce, copy, cause to be reproduced or copied, disclose to others, or use as the basis for manufacture, sale or purchase of apparatus the contents or portions thereof of this document without written permission of KCB Solutions.



REF. DIM	PART NUMBER: KCB164			DATE CODE: _____			
	WORK ORDER NUMBER: _____			OPERATOR: _____			
	A	B	C	D	E	F	G
S/N	MIN	0.270	0.270	0.075	0.115	0.045	0.015
	MAX	0.290	0.290	0.100	0.085	0.125	0.065

REVISONS

ZONE	LTR	DESCRIPTION	DATE	APPROVED
B		SEE SHEET 1.FLR.HISTORY	03/08/12	DGS

UNLESS OTHERWISE SPECIFIED		DRAWN BY		KCB SOLUTIONS, INC.	
TOLERANCES ARE IN INCHES: 1. FRACTIONS: ±0.005 2. DECIMALS: ±0.005 3. HOLE DIA: ±0.004	12/08/11	D. SCOFFIELD	12/08/11	900 Mount Laurel Circle, Shirley, Ma. 01464	
		THIRD ANGLE PROJECTION			
		USED ON			
		APPLICATION			
COMMERCIAL PUBLISHED TOLERANCES: ±0.005		CAUTION: UNLESS THIS DRAWING REFERS TO ANOTHER DRAWING, ALL DIMENSIONS AND TOLERANCES IN THIS DRAWING ARE FINAL AND TO BE USED AS SHOWN.		DRAWN BY: D. SCOFFIELD	
ALL DIMENSIONS AND TOLERANCES ARE TO BE USED AS SHOWN.		CHECKED BY: R. NILSSON		DATE: 12/08/11	
ALL DIMENSIONS AND TOLERANCES ARE TO BE USED AS SHOWN.		ENG. NAME: R. NILSSON		DATE: 12/08/11	
ALL DIMENSIONS AND TOLERANCES ARE TO BE USED AS SHOWN.		PRD. NAME: V. KEIMASCH		DATE: 12/08/11	
ALL DIMENSIONS AND TOLERANCES ARE TO BE USED AS SHOWN.		Q.A. NAME: V. KEIMASCH		DATE: 12/08/11	
ALL DIMENSIONS AND TOLERANCES ARE TO BE USED AS SHOWN.		THIRD ANGLE PROJECTION		SIZE: B	
ALL DIMENSIONS AND TOLERANCES ARE TO BE USED AS SHOWN.		DDI NOT SCALE DRAWING		CAGE CODE: 3W3Q7	
ALL DIMENSIONS AND TOLERANCES ARE TO BE USED AS SHOWN.		SCALE 1:1		80058	

OUTLINE, LCC
7-PORT 0.280 SQ

SHEET 2 OF 2