

3

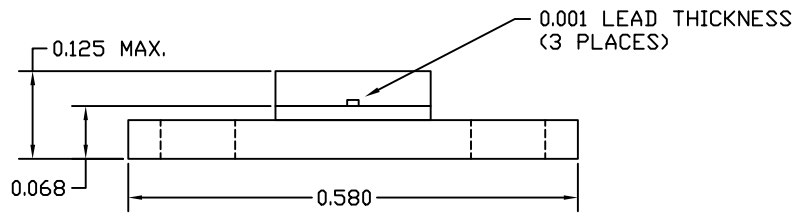
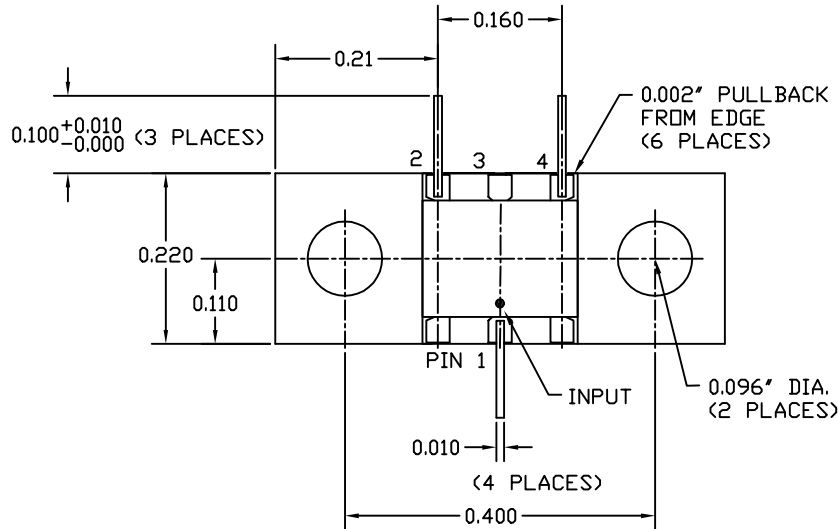
2

1

This document is the property of KCB Solutions, Inc. and contains company confidential and/or proprietary information. It is issued in strict confidence and the recipient shall not reproduce, copy, cause to be reproduced or copied, disclose to others, or use as the basis for manufacture, sale or purchase of apparatus the contents or portions thereof of this document without written permission of KCB Solutions.

REVISIONS

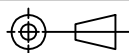
ZONE	LTR	DESCRIPTION	DATE	APPROVED
	-	RELEASE TO PRODUCTION PER DIF-066	07/6/10	DGS
	A	CHANGED LEAD THICKNESS PER CDCO-1080	10/14/10	DGS
	B	CHANGED LEAD LENGTH PER CDCO-1096	04/04/11	KS



NOTES:

- MATERIAL:
 BASE: GOLD PLATED CuW
 CARRIER: 98% AlN
 LID: ALUMINA
 LEADS: 0.0010 X 0.010 GOLD PLATED COPPER RIBBON
- ASTERISK DENOTES CRITICAL DIMENSIONS

THIRD ANGLE PROJECTION



UNLESS OTHERWISE SPECIFIED

DIMENSIONS ARE IN INCHES
 TOLERANCES ON FINISH: RHS 63
 ANGLES: 1/2° FRACTIONS: 1/64
 4 PLACE DECIMALS: ±0.0005
 3 PLACE DECIMALS: ±0.005
 2 PLACE DECIMALS: ±0.010

COMMERCIAL PUBLISHED TOLERANCES SHALL APPLY TO TUBING, BAR, PLATE ETC. ALL THREADS TO BE CLASS 2A UN. PLATED PARTS MUST FIT GAUGES AND MEET SPECIFIED TOLERANCES AFTER PLATING.

CAUTION
 UNLESS THIS DRAWING BEARS AUTHORIZED SIGNED APPROVAL(S) IT IS PRELIMINARY AND IS NOT TO BE USED FOR MANUFACTURING PURPOSES.

DRAWN BY M. CID 06/22/10

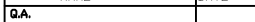
CHECKED BY R. NILSSON 06/22/10

ENG. NAME DATE

PROD. NAME DATE

Q.A. P. KOSCIUSZEK 07/06/10

THIRD ANGLE PROJECTION



DO NOT SCALE DRAWING

KCB SOLUTIONS, INC.
 900 Mount Laurel Circle, Shirley, Ma. 01464

OUTLINE,
 3-LEAD PKG w/FLANGE

SIZE B

CAGE CODE 3W3Q7

80039

SCALE 1 : 1

SHEET 1 OF 1

3

2

1