

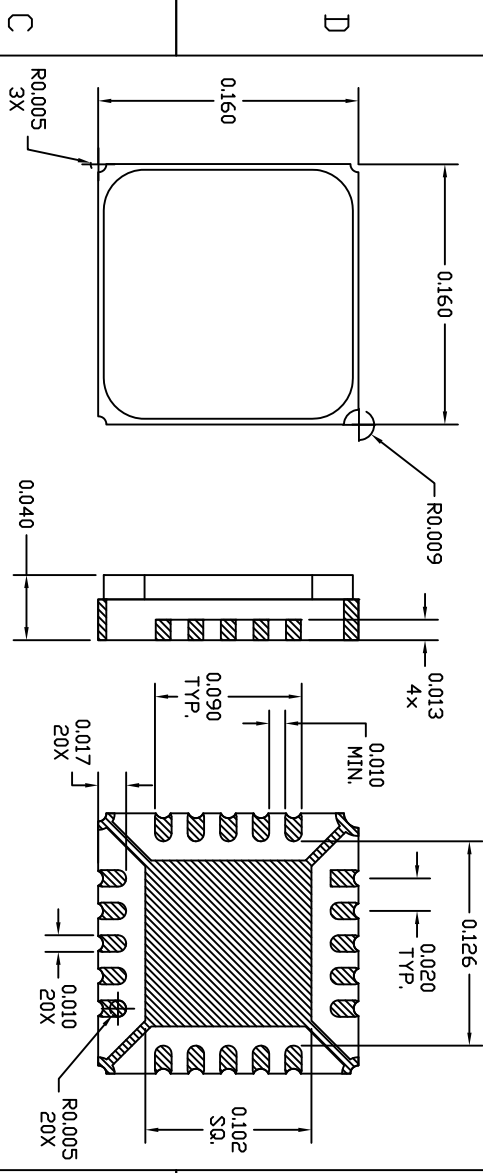
3

2

1

This document is the property of KCB Solutions, Inc. and contains company confidential and/or proprietary information. It is issued in confidence and is intended for the use of the recipient only. It is to be reproduced or copied, deleted or altered, or used as the basis for manufacture, sale or purchase of apparatus the contents of portions thereof of this document without written permission of KCB Solutions.

REVISIONS				
ZONE	LTR	DESCRIPTION	DATE	APPROVED
1	-	INITIAL RELEASE	12/17/14	DE



UNLESS OTHERWISE SPECIFIED

DRAWN BY: KING STYMANHANG 12/28/13  
 CHECKED BY: ASDFIELD 12/28/13  
 ENG: MCDONNE 12/17/14  
 PERDR: GAVRADIK 12/17/14  
 QA: VAVRNDOP 12/17/14

THIRD ANGLE PROJECTION

DO NOT SCALE DRAWING

SCALE 1 : 1

KCB SOLUTIONS, INC.  
 900 Mount Laurel Circle, Shirley, Ma. 01464

4MM SQ 20 LEAD  
 OUTLINE,

SIZE: B  
 CAGE CODE: 3W307  
 80064

SHEET 1 OF 2

THIRD ANGLE PROJECTION

USED ON

APPLICATION

3

A

B

C

D

E

A

B

C

D

E